

有 吉 隆 司

Takashi ARIYOSU

Kazumi FURUTA

Shinji SHIMOMURA

Table 1

22

Distearyl thiodipropionate

sqwitone

Name

Accelerator

Ethylenethiourea

Antioxidants

Phenyl *n*-butylcarbazone

NE Jikand Jikand

NBC

Formulations (PHR)

M. 1

Tensile Strength (kg/cm²)

1000

750

500

longati

MgO

ZnO

Antioxidant-D

Accelerator-22

DCP

1.35

100	100	100
4	—	4
—	5	5
—	—	2
—	—	0.35
1.35	1.35	—

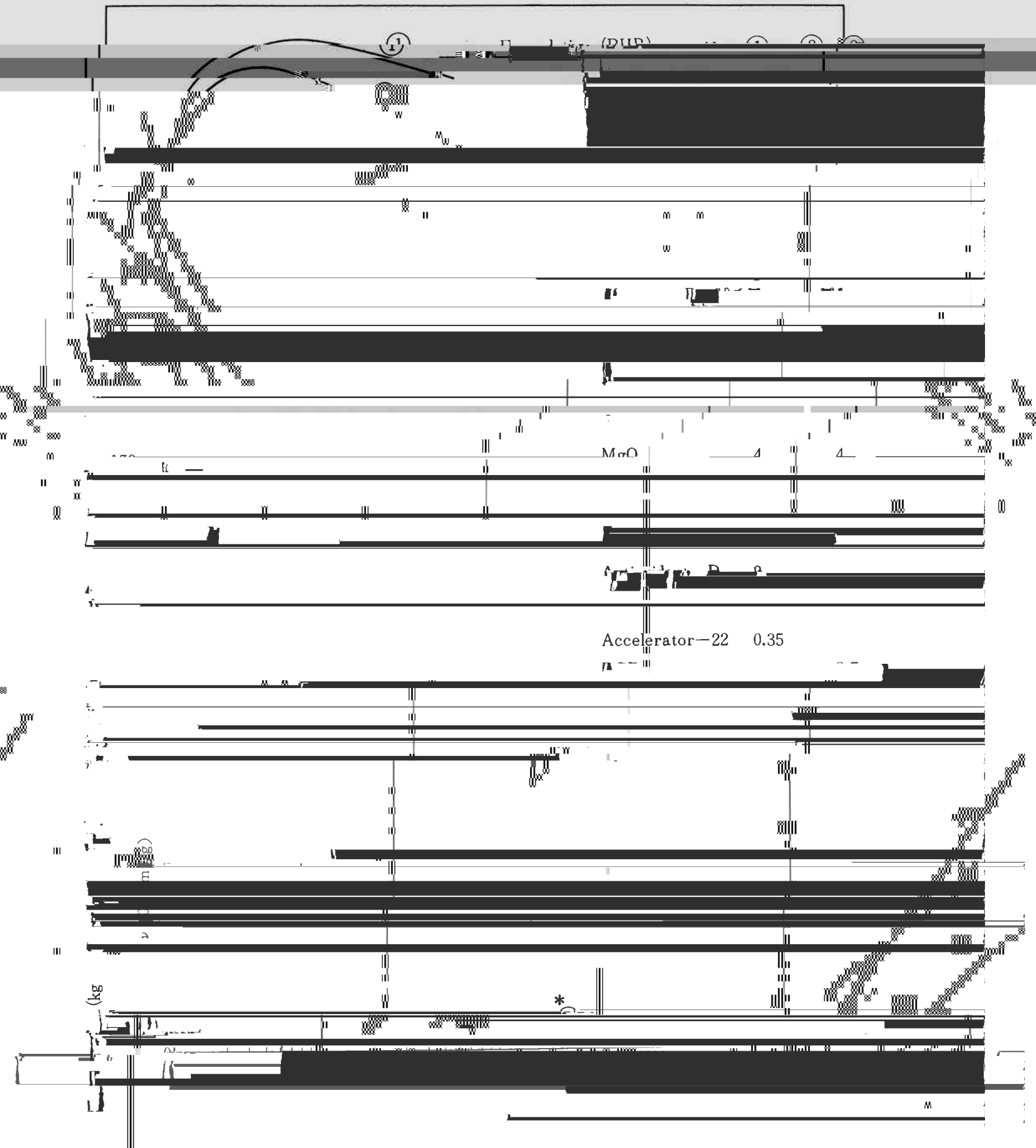
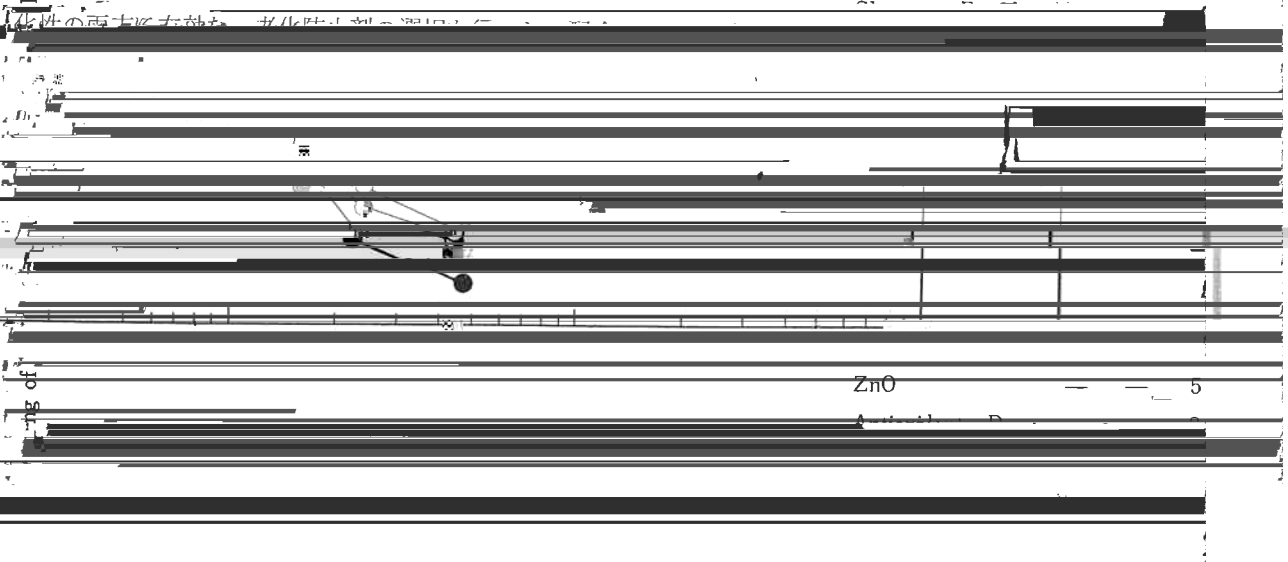
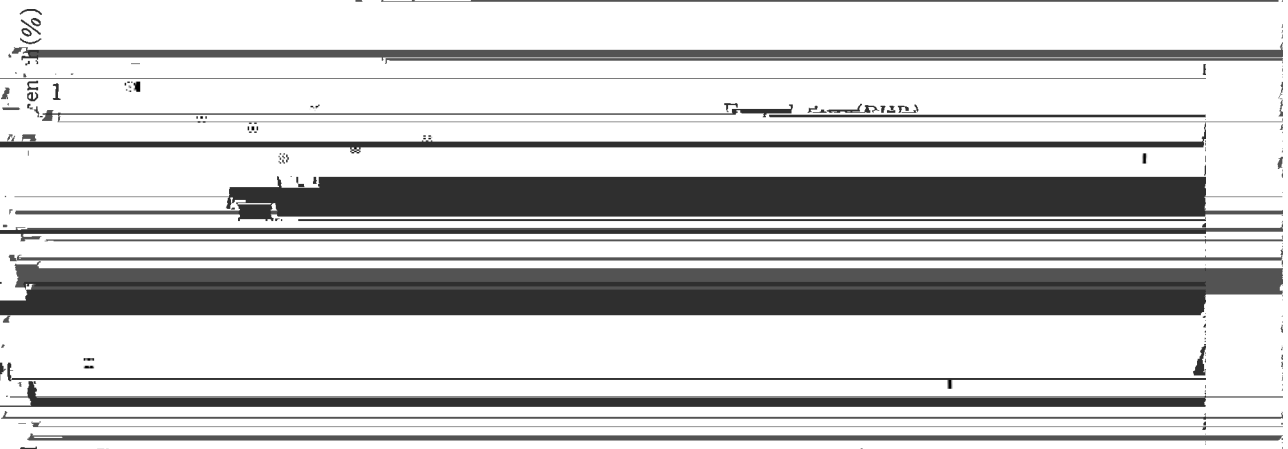
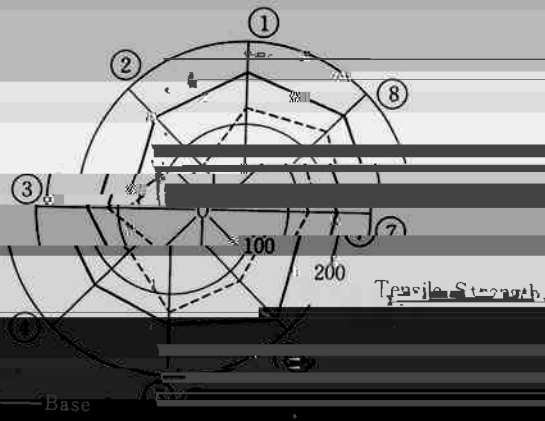




Fig. 4





HQ/ — 2 2 / — (PHR)

Styrene D 90

HQ/TPS 2 2 / 5

MgO

ZnO

Antioxidant-D

NBC/ —

NBC/TPS

DCB

Base

Base

Base

Base

Base

Base

Base

Base

Base

Base

Base

Base

Base

Base

Base

Base

Base

Base

Base

Base

Base

Base

Base

Base

Base

Base

Base

Cure 150°C x 20 min

1.85
(15)

M. (100%) min

100

(125°C) min.

T/TIC_RVL_7.2

CS%

*3
W/TIC No. 220

A_R(M₃₀₀)%

+2
*1
A_H

100
*1
A_R(E_B)%

Y-3
*3
ΔW (JIS No. 1)%

Len. 010

A_R(T_B)%

*1 A 100°C 0.61

*4 Ozone Resistance : 50 ppb x 40°C x 20%

6-CP V. 1. 11. 2007

